

INDUCTIVE SENSOR



Series ISIP

Key-Features:

- Measurement range 0...7 mm
- Analog Output: 4...20mA
- Linearity ± 0.35 mm
- Resolution of 0.005 mm
- Temperature range: -40...+70 °C
- Protection class up to IP69K
- Stainless steel housing
- Cylindrical housing with outer thread
- Measurement on metallic objects

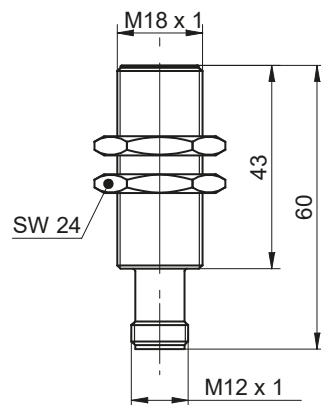
Content:

| | |
|-------------------------------|-------|
| Technical Data |2 |
| Technical Drawing |2 |
| Electrical Connection |2 |
| Mounting of the Sensor |3 |
| Models |3 |
| Accessories |3 |

TECHNICAL DATA

| | | |
|---|-------|--|
| Measurement range | [mm] | 0...7 |
| Linearity | [mm] | ±0.35 |
| Resolution | [mm] | static: < 0.005, dynamic: < 0.01 |
| Repeatability | [mm] | < 0.015 |
| Response time | [ms] | < 2 |
| Output signal | [mA] | 4...20 |
| Power supply | [VDC] | 15...30 |
| Current consumption max. (without load) | [mA] | 40 |
| Load resistance | [Ω] | 330...1000 |
| Short circuit protection | | yes |
| Reverse polarity protection | | yes |
| Protection class | | IP68 / IP69K |
| Operating temperature | [°C] | -40...+70 |
| Cleaning temperature | [°C] | +70...+85 (30 min / day) |
| Temperature drift max. | [%] | ±10 |
| Vibration resistance | | EN 61373:2010 (category 3), 5 h per axis (14.4 gRMS, 10...500 Hz, EN 60068-2-64) |
| Shock resistance | | EN 61373:2010 (category 3), 10 bumps per axis (100 g, 6 ms, EN 60068-2-27) |
| Optimal mounting | | quasi-flush |
| Material | | housing: stainless steel 1.4404 (V4A), sensing face: LCP |
| Connection | | connector M12, 4 pins |
| Tightening torque max. | [Nm] | 55 |

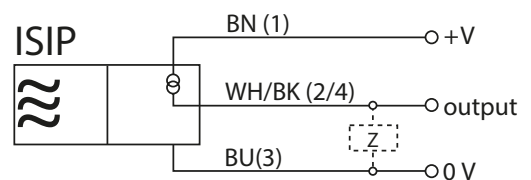
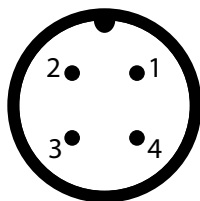
TECHNICAL DRAWING



ELECTRICAL CONNECTION

Connector M12, male, 4 pins

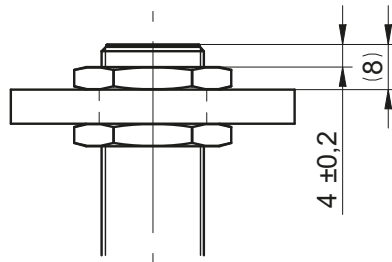
| Pin | Signal |
|-----|--------|
| 1 | +V |
| 2 | Output |
| 3 | GND |
| 4 | Output |



Disconnect power before connecting the sensor.

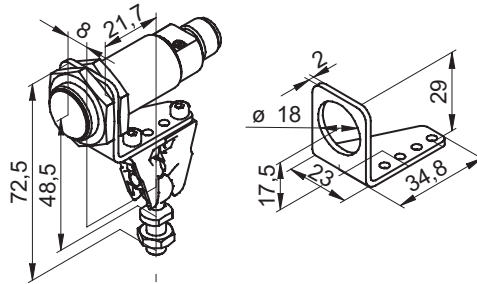
MOUNTING OF THE SENSOR

Recommended setup for optimal measurement results



An installation that deviates from this recommendation can considerably influence the measurement results.

Mounting set ISMZ-M18



MODELS

ISIP-7-M18-420A-SA12 range 0...7 mm, output 4...20 mA

ACCESSORIES

Cable with connector (female) M12, 4 poles, shielded

K4P2M-S-M12 2 m, straight connector

K4P5M-S-M12 5 m, straight connector

K4P10M-S-M12 10 m, straight connector

Mounting set (clamps, ball pivot, mounting panel)

ISMZ-M18 Mounting set for sensors with M18 thread

Cable with connector (female) M12, 4 poles, shielded

K4P2M-SW-M12 2 m, angular connector

K4P5M-SW-M12 5 m, angular connector

K4P10M-SW-M12 10 m, angular connector

Digital displays

WAY-AX-S 2 channel, power supply 18...30 VDC

WAY-AX-S-AC 2 channel, power supply 115...230 VAC

For more information and options please refer to the [WAY-AX data sheet](#).

Subject to change without prior notice.

WayCon Positionsmesstechnik GmbH
 email: info@waycon.de
 internet: www.waycon.biz

WayCon
 Positionsmesstechnik

Head Office
 Mehlerstr. 4
 82024 Taufkirchen
 Tel. +49 (0)89 67 97 13-0
 Fax +49 (0)89 67 97 13-250

Office Köln
 Auf der Pehle 1
 50321 Brühl
 Tel. +49 (0)2232 56 79 44
 Fax +49 (0)2232 56 79 45